

# FUTURE



**Caracteristici:** grile cu bare fixe cu ramă retractabilă și miez mobil.

**Construcție:** A aluminiu anodizat.

- FUTURE-10 bare fixe cu deflexie 0°
- FUTURE-15 bare fixe cu deflexie 15°
- FUTURE-T grilă cu ecran frontal complet. Ramă și ecran din Aluminiu vopsit RAL 9016 matt.

**Utilizare:** introducere și evacuare.

**Fixare:** instalare în cadru de montaj prin intermediul șuruburilor. Finisare cu ramă de acoperire a șuruburilor și a decupajului din perete.

**Accesorii:** plenum din oțel galvanizat vopsit RAL 9005 cu sau fără izolație termică. Filtru din saltea 10 mm de poliuretan, eficiență G2.

**Characteristics:** fixed bar grille with retractable frame and removable central core.

**Construction:** anodized aluminum.

- FUTURE-10 fixed bar grille with 0° deflection
- FUTURE-15 fixed bar grille with 15° deflection
- FUTURE-T grille with front full screen. Frame and screen in alluminium RAL 9016 matt painted.

**Utilization:** supply and return air.

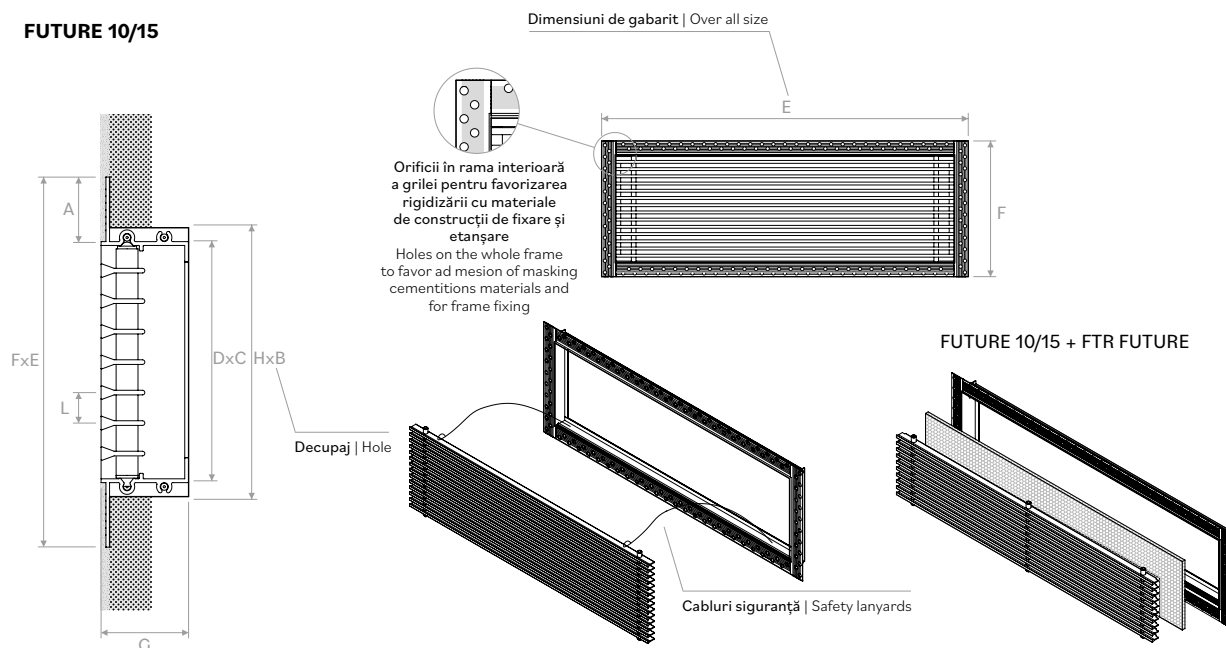
**Fixing:** installation on support of frame by means of screws. Finish with frame cover and subsequent assembly of the central core.

**Accessories:** plenum box in galvanized steel RAL 9005 painted with or without thermal insulation. 10 mm thick polyuretane mattress filter, G2 efficiency.



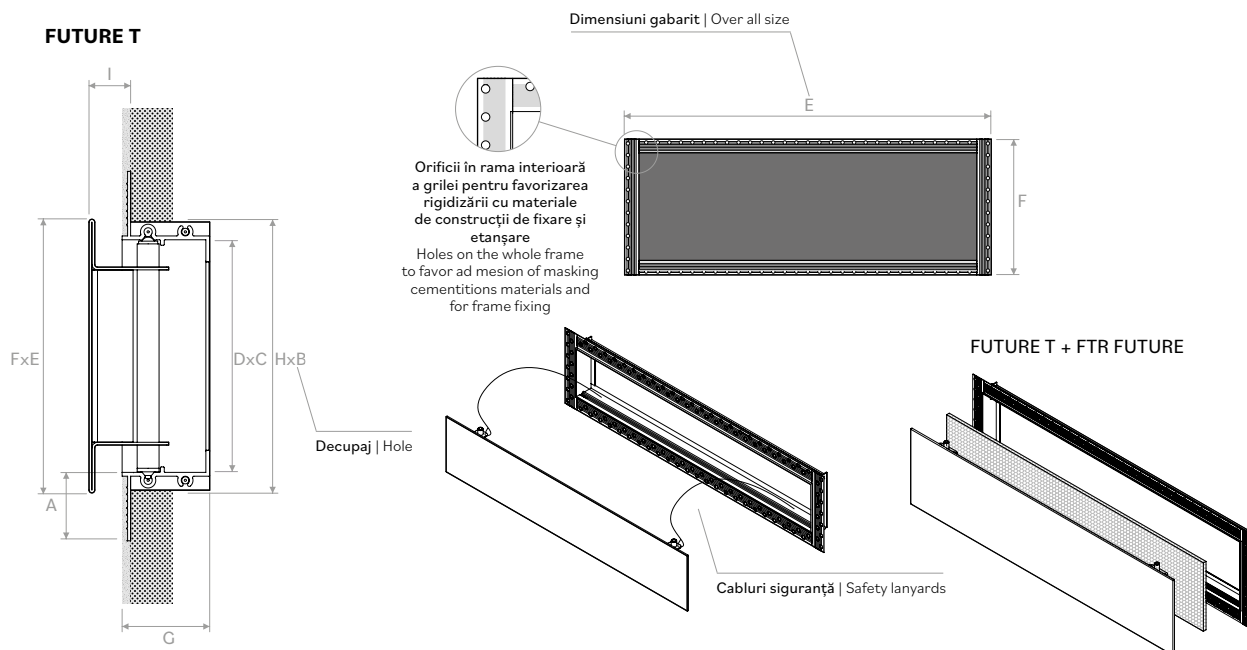
**DESENE | DRAWINGS**

**FUTURE 10/15**



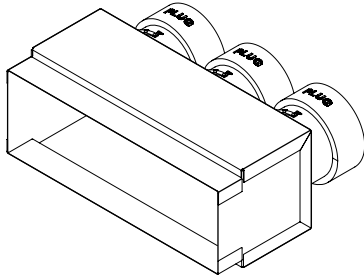
Model   Model		A	B	C	D	E	F	G	H	L
<b>FUTURE 10/15 200x100</b>	mm	25	200	185	85	235	135	32	100	12,5
<b>FUTURE 10/15 300x100</b>	mm	25	300	285	85	335	135	32	100	12,5
<b>FUTURE 10/15 400x100</b>	mm	25	400	385	85	435	135	32	100	12,5
<b>FUTURE 10/15 500x100</b>	mm	25	500	485	85	535	135	32	100	12,5

**FUTURE T**

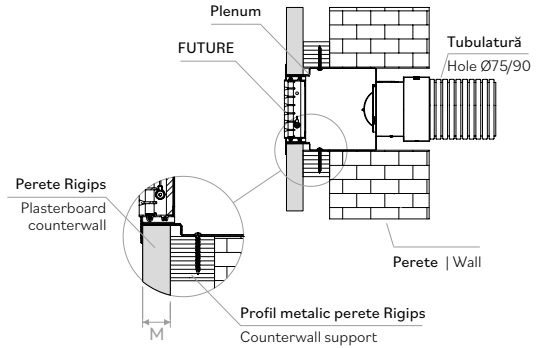


Model   Model		A	B	C	D	E	F	G	I	H
<b>FUTURE T 200x100</b>	mm	25	200	185	85	235	135	32	12	100
<b>FUTURE T 300x100</b>	mm	25	300	285	85	335	135	32	12	100
<b>FUTURE T 400x100</b>	mm	25	400	385	85	435	135	32	12	100
<b>FUTURE T 500x100</b>	mm	25	500	485	85	535	135	32	12	100

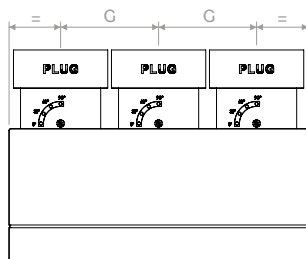
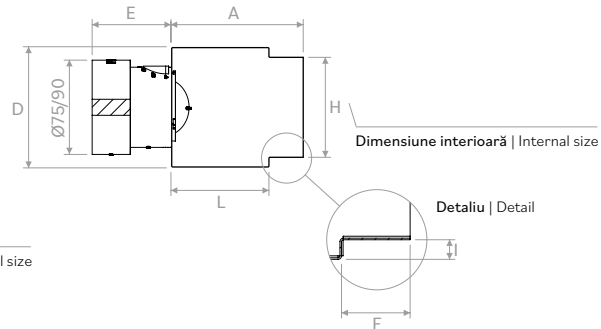
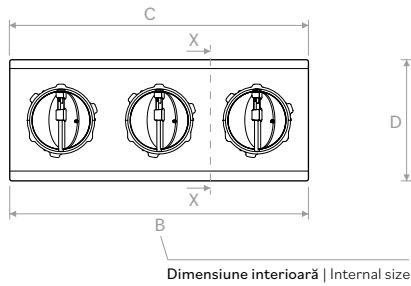
### PLUGPBF1



### Exemplu instalare | Installation example



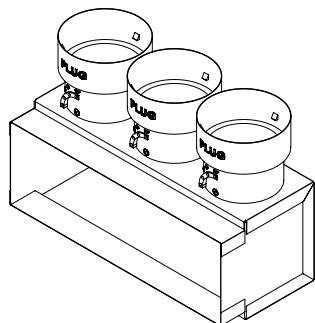
### Secțiune | Section X-X



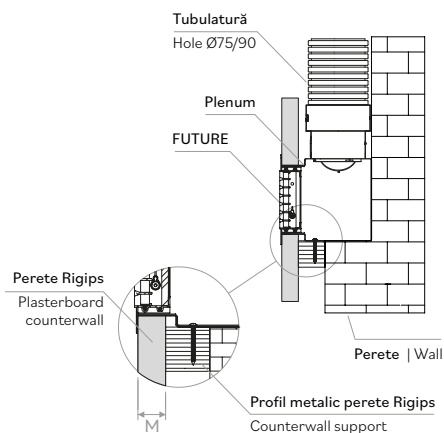
Model   Model	N° PLUG 75/90		A	B	C	D	E	F	G	H	I	L	M
<b>PLUGPBF1 1200x100</b>	2	mm	135	202	205	124	80	35	100	102	10	100	25
<b>PLUGPBF1 1300x100</b>	3	mm	135	302	305	124	80	35	100	102	10	100	25
<b>PLUGPBF1 1400x100</b>	4	mm	135	402	405	124	80	35	100	102	10	100	25
<b>PLUGPBF1 1500x100</b>	5	mm	135	502	505	124	80	35	100	102	10	100	25



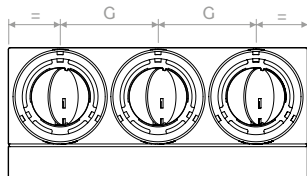
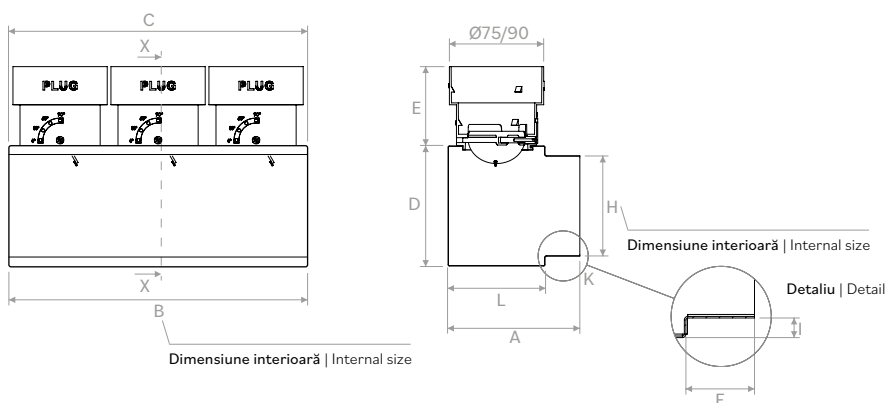
**PLUGPBF2**



**Exemplu instalare | Installation example**



**Secțiune | Section X-X**



Model   Model	N° PLUG 75/90		A	B	C	D	E	F	G	H	I	L	M
<b>PLUGPBF2 200x100</b>	2	mm	135	202	205	124	80	35	100	102	10	100	25
<b>PLUGPBF2 300x100</b>	3	mm	135	302	305	124	80	35	100	102	10	100	25
<b>PLUGPBF2 400x100</b>	4	mm	135	402	405	124	80	35	100	102	10	100	25
<b>PLUGPBF2 500x100</b>	5	mm	135	502	505	124	80	35	100	102	10	100	25



# FUTURE

## TABEL SELECȚIE | SELECTION TABLE

### FUTURE 10/15

Model   Model	A <sub>k</sub> [m <sup>2</sup> ]	Q [m <sup>3</sup> /h]		L <sub>WA</sub> [dB(A)]		X <sub>(0,25)</sub> [m]		Dp <sub>t</sub> [Pa]	
		min	max	min	max	min	max	min	max
<b>FUTURE 200x100</b>	0,0055	50	110	20	27	2,9	5,3	5	20
<b>FUTURE 300x100</b>	0,0083	80	160	20	34	3,5	6,6	5	20
<b>FUTURE 400x100</b>	0,0145	130	270	22	36	4,3	8,5	5	20
<b>FUTURE 500x100</b>	0,0206	190	390	24	38	5,3	10,3	5	20

### FUTURE T

Model   Model	A <sub>k</sub> [m <sup>2</sup> ]	Q [m <sup>3</sup> /h]		L <sub>WA</sub> [dB(A)]		Dp <sub>t</sub> [Pa]	
		min	max	min	max	min	max
<b>FUTURE 200x100</b>	0,0078	30	80	<20	25	5	20
<b>FUTURE 300x100</b>	0,0104	40	110	20	34	5	20
<b>FUTURE 400x100</b>	0,013	50	130	22	36	5	20
<b>FUTURE 500x100</b>	0,0156	60	160	24	38	5	20



**PREȚURI | PRICES**

BxH	FUTURE 10	FUTURE 15	FUTURE T	PLUGPBF1*	PLUGPBF1**	PLUGPBF2*	PLUGPBF2**	FTR FUTURE
mm					€			
<b>200x100</b>								
<b>300x100</b>								
<b>400x100</b>								
<b>500x100</b>								

\* Oțel galvanizat vopsit RAL 9005 | Galvanized steel RAL 9005 painted

\*\* Oțel galvanizat vopsit RAL 9005 și izolație externă din polietilenă  
Galvanized steel RAL 9005 painted and external insulation in polyethylene

